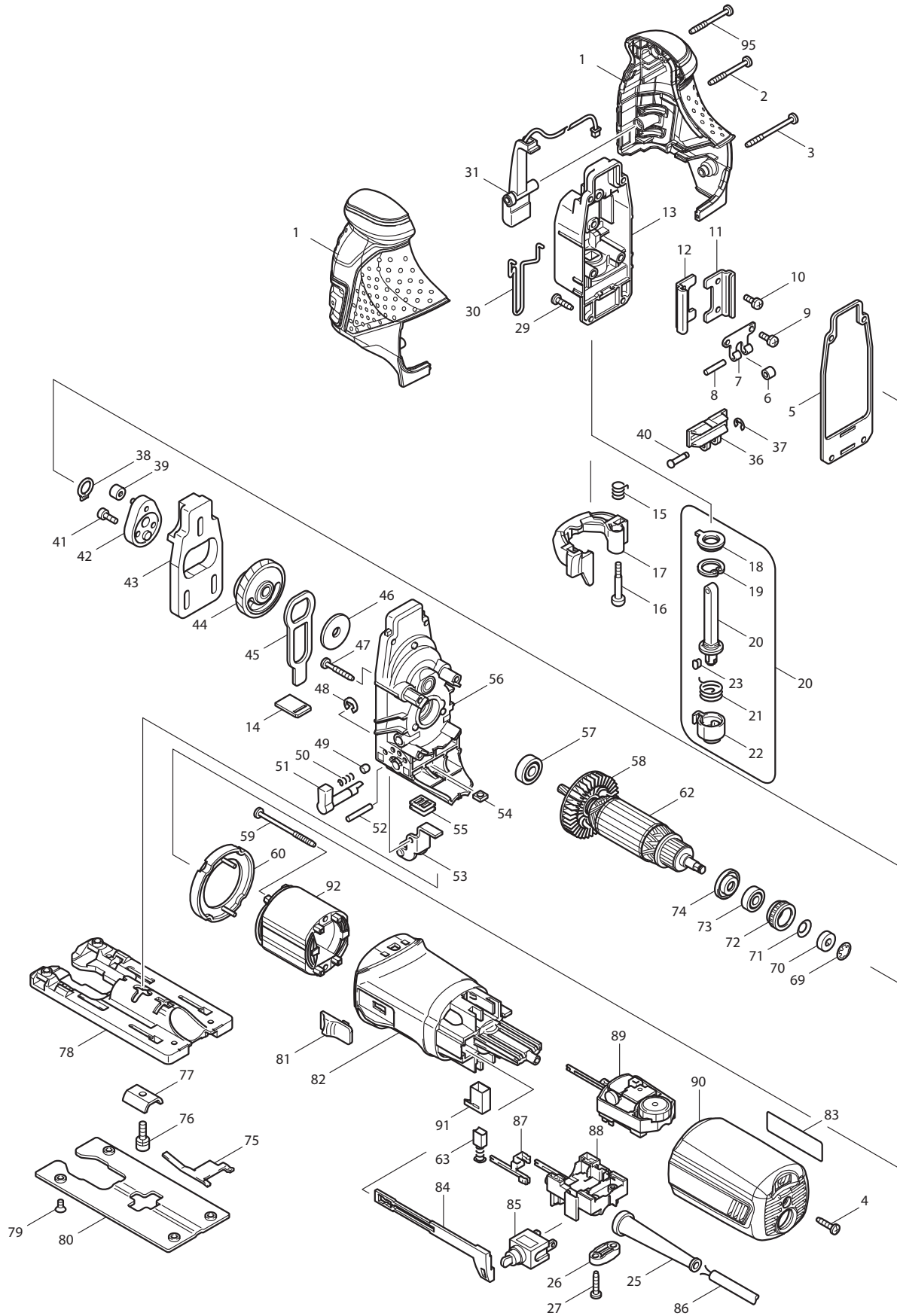




09 - 2010

4351FCT

BARREL GRIP JIG SAW W/LIGHT



Item No	Type	Ref	Part No	Description	Qty	Unit
001			188290-6	HEAD COVER SET	1	SET
002			266048-4	TAPPING SCREW 4X40	1	PC.
003			266091-3	TAPPING SCREW 4X50	1	PC.
004			265995-6	TAPPING SCREW 4X18	1	PC.
005			442138-9	PACKING	1	PC.
006			214031-5	PLANE BEARING 4	1	PC.
007			232207-2	LEAF SPRING	1	PC.
008			256117-9	PIN 4	1	PC.
009			911111-5	PAN HEAD SCREW M4X10	2	PC.
010			911111-5	PAN HEAD SCREW M4X10	2	PC.
011			345240-6	LINEAR GUIDE	1	PC.
012			345240-6	LINEAR GUIDE	1	PC.
013			153338-3	GEAR HOUSING COVER COM	1	PC.
		INC.	253313-0	THIN WASHER 14	1	PC.
		INC.	257250-0	RING 20	1	PC.
		INC.	421815-6	DUST SEAL 8	1	PC.
014			417839-8	SEAL PLATE	1	PC.
015			231659-4	TORSION SPRING 6	1	PC.
016			265026-1	+ PAN HEAD SCREW M4	1	PC.
017			419820-5	TOOL OPENER	1	PC.
018			421817-2	DUST COVER	1	PC.
019			962068-3	RETAINING RING R-18	1	PC.
020			135060-4	ROD ASSY	1	PC.
		INC.	165326-8	ROD	1	PC.
		INC.		Item No. 18, 19, 21-23		
021			231660-9	TORSION SPRING 15	1	PC.
022			310136-0	BLADE HOLDER	1	PC.
023			310135-2	PUSH PIN	1	PC.
025			682559-5	CORD GUARD 8	1	PC.
026			687063-9	CORD CLAMP (STRAIN RELIEF)	1	PC.
027			265995-6	TAPPING SCREW 4X18	2	PC.
029			266034-5	TAPPING SCREW CT 4X16	4	PC.
030			324233-6	SAFETY WIRE	1	PC.
031			631470-8	LED CIRCUIT	1	PC.
036			310134-4	SLIDER	1	PC.
037			961017-7	STOP RING E-3	1	PC.
038			961004-6	RETAINING RING S-8	1	PC.
039	2		212092-9	NEEDLE BEARING 407	1	PC.
040			268090-1	PIN 4	1	PC.
041			265353-6	HEX. SOCKET HEAD BOLT M4X12	2	PC.
042			153336-7	CRANK COMPLETE	1	PC.
043			313108-4	BALANCE PLATE	1	PC.
044			153335-9	GEAR COM	1	PC.
		INC.	212043-2	NEEDLE BEARING 810	2	PC.
045			345235-9	PUSH PLATE	1	PC.
046			253877-4	FLAT WASHER 8	1	PC.
047			266050-7	TAPPING SCREW 4X30	4	PC.
048			961018-5	STOP RING E-5	1	PC.
049			286032-3	CAP 5	1	PC.
050			233139-6	COMPRESSION SPRING 3	1	PC.
051	1		272244-4	LEVER 17	1	PC.
	2		272280-0	LEVER 17	1	PC.
052			268063-4	PIN 4	1	PC.
053			153334-1	RETAINER COMPLETE	1	PC.

Item No	Type	Ref	Part No	Description	Qty	Unit
054			252171-1	SQUARE NUT M5-8	1	PC.
055			421816-4	DUST SEAL	1	PC.
056			153337-5	GEAR HOUSING COMPLETE	1	PC.
057			210005-4	BALL BEARING 608DDW	1	PC.
058			241881-5	FAN 52	1	PC.
059			266052-3	TAPPING SCREW 4X60	2	PC.
060			417838-0	BAFFLE PLATE	1	PC.
062			517396-7	ARMATURE ASSY	1	PC.
063	2		195007-0	CARBON BRUSH CB-407 2PC/SET, W/O ORIGIN	1	SET
069			259039-2	SELF LOCK 6	1	PC.
070			688117-5	MAGNET SLEEVE	1	PC.
071			267756-0	WAVE WASHER 6	1	PC.
072			421494-0	RUBBER RING 19	1	PC.
073			211021-9	BALL BEARING 607LLB	1	PC.
074			681636-0	INSULATION WASHER	1	PC.
075			232208-0	LEAF SPRING	1	PC.
076			922226-3	HEX. SOCKET HEAD BOLT M5X18	1	PC.
077			345237-5	CRANK PLATE	1	PC.
078			317565-8	BASE	1	PC.
079			912107-9	COUNTERSUNK HEAD SCREW M4X8	4	PC.
080			345238-3	BASE PLATE	1	PC.
081			417840-3	SWITCH LEVER	1	PC.
082	1		158349-3	MOTOR HOUSING COM	1	PC.
		INC.	810328-6	CAUTION LABEL	1	PC.
	2		141945-4	MOTOR HOUSING COM	1	PC.
		INC.	800Y08-2	CAUTION LABEL (ADDED)	1	PC.
084			417841-1	SWITCH ROD	1	PC.
085			651428-1	SWITCH STL115ADF-CD	1	PC.
086			664891-9	CORD WITH PLUG 2P-18-2.5M SJ	1	PC.
087			654223-8	TERMINAL F	2	PC.
088			638110-9	SWITCH BLOCK UNIT	1	PC.
089			631464-3	CONTROLLER	1	PC.
090			419896-2	REAR COVER	1	PC.
091			643975-6	BRUSH HOLDER	2	PC.
092			633516-6	FIELD 115V	1	PC.
095			266048-4	TAPPING SCREW 4X40	1	PC.
D01			652037-9	PAN HEAD SCREW M3.5X8	2	PC.
D02			654233-5	INSULATED TERMINAL FT1.25M3TOR	2	PC.

ACCESSORIES

A01			415524-7	ANTI-SPLINTERING DEVICE	1	PC.
A02			417852-6	COVER PLATE	1	PC.
A03			792724-9	JIG SAW BLADE ASSORTED 6PC KIT (2 EA: B-10, B-22, BRR-13)	1	SET
			792473-8	JIG SAW BLADE B-22, 5PC/SET	1	SET
			792529-7	JIG SAW BLADE B-10, 5PC/SET	1	SET
			792729-9	JIG SAW BLADE BR-13, 5PC/SET	1	SET
A04			783202-0	HEX. WRENCH 4	1	PC.
A05			824809-4	PLASTIC CARRYING CASE	1	PC.
A06			193517-1	GUIDE RAIL ADAPTOR	1	PC.
A07			193516-3	GUIDE RULE SET	1	PC.
		INC.	271601-3	KNOB 20	1	PC.
		INC.	323802-0	GUIDE PIN	1	PC.
		INC.	922207-7	HEX. SOCKET HEAD BOLT M5X10	1	PC.
A09			P-80020	DUST NOZZLE	1	PC.

Item No	Type	Ref	Part No	Description	Qty	Unit
A10			199140-0	GUIDE RAIL 1000MM	1	PC.
			194368-5	GUIDE RAIL 1400MM	1	PC.
			199141-8	GUIDE RAIL 1500MM	1	PC.
			194367-7	GUIDE RAIL 3000MM	1	PC.
			194925-9	GUIDE RAIL 1900MM	1	PC.
A11			B-44410	JIGSAW BLADE 10PC/KIT	1	PC.
A12			197252-3	GUIDE RAIL ADAPTER	1	PC.
A13			198885-7	GUIDE RAIL CONNECTORS	1	PC.